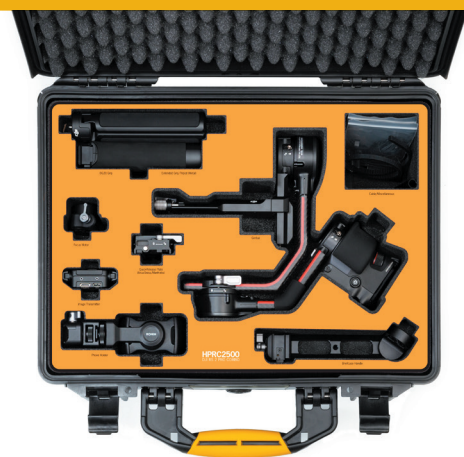


# HPRC2500 for DJI RS 2 Pro Combo

## RS2-2500-01



- 1** Gimbal
- 2** Cable/Miscellaneous
- 3** Briefcase Handle
- 4** Phone Holder
- 5** Image Transmitter
- 6** Quick-Release Plate (Arca-Swiss/Manfrotto)
- 7** Focus Motor
- 8** BG30 Grip
- 9** Extended Grip/Tripod (Metal)



### TECHNICAL FEATURES

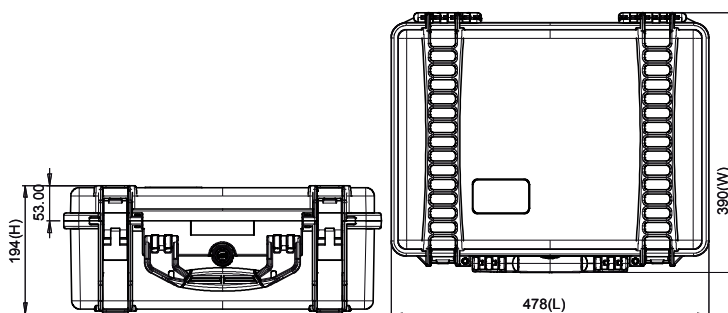
**Dimension:**  
 internal dimension 450x323x175(mm) - 17.72x12.72x6.89(in)  
 external dimension 478x390x194(mm) - 18.82x15.35x7.64(in)

**Weight:**  
 3,71kg - 8.18lbs

**Temperature rating:**  
 Minimum -40°C -40°F      Maximum +80°C +176°F



### TECHNICAL DRAWING



[www.hprc.it](http://www.hprc.it)  
[info@hprc.it](mailto:info@hprc.it)

**Plaber s.r.l. - HPRC cases**  
 Via Div Tridentina, 10  
 I-36061 Bassano del Grappa  
 Vicenza - Italy  
 Tel +39 0424 809150

USA office and warehouse:  
 HPRC USA  
 110 Chestnut Ridge Rd. #314  
 Montvale, NJ 07645  
 Phone +1(201) 989-3353



**APPROVALS**  
 ATA 300  
 IP67  
 STANAG 4280  
 DS 81-41

**TEST**  
 DROP  
 IMPACT  
 HANDLE  
 WATERTIGHT INTEGRITY  
 UV COLOR AND MATERIAL  
 PROTECTION

