

HPRC2500 for Fujifilm GFX100

GFX100-2500-01



- 1** Fujifilm GFX100
- 2** Cable storage/Miscellaneous
- 3** Adjustable lens: FUJIFILM GF 110mm f/2 R LM WR Lens, 23mm f/4 R LM WR Lens, 45mm f/2.8 R WR Lens, 32-64mm f/4 R LM WR Lens
- 4** Battery charger
- 5** Battery NP-T125
- 6** Ac Power Adapter

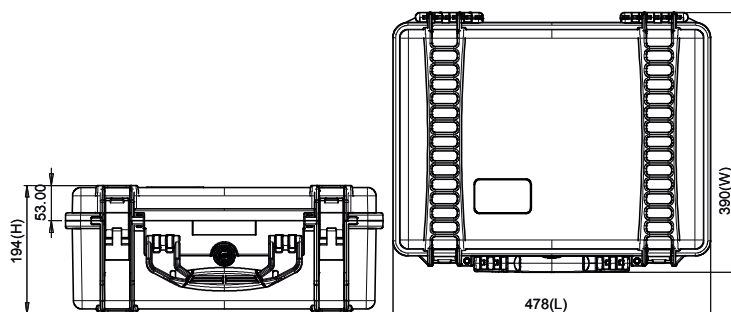


TECHNICAL FEATURES

Dimension:
 internal dimension 450x323x175(mm) - 17.72x12.72x6.89(in)
 external dimension 478x390x194(mm) - 18.82x15.35x7.64(in)

Weight:
 3,71kg - 8.18lbs

Temperature rating:
 Minimum -40°C -40°F
 Maximum +80°C +176°F



Plaber s.r.l. - HPRC cases

Via Div Tridentina, 10
 I-36061 Bassano del Grappa
 Vicenza - Italy

Tel +39 0424 809150
 Fax +39 0424 808548

HPRC USA

240 Anderson Avenue
 07074 Moonachie
 New Jersey - Usa

Tel +1 201 617 2010
 Fax +1 201 617 2001

www.hprc.it
 E: info@hprc.it



APPROVALS
 ATA 300
 IP67
 STANAG 4280
 DS 81-41

TEST
 DROP
 IMPACT
 HANDLE
 WATERTIGHT INTEGRITY
 UV COLOR AND MATERIAL
 PROTECTION

